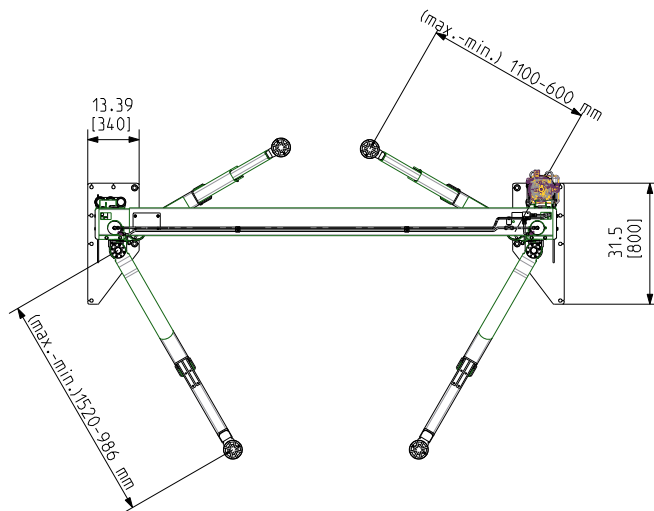
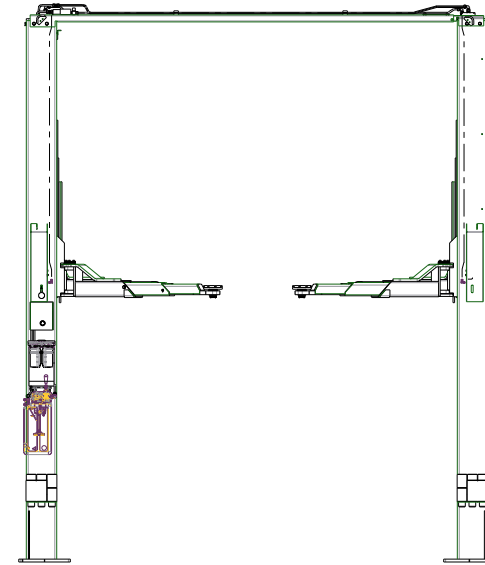
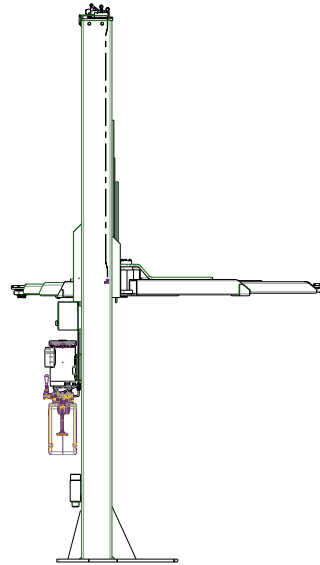
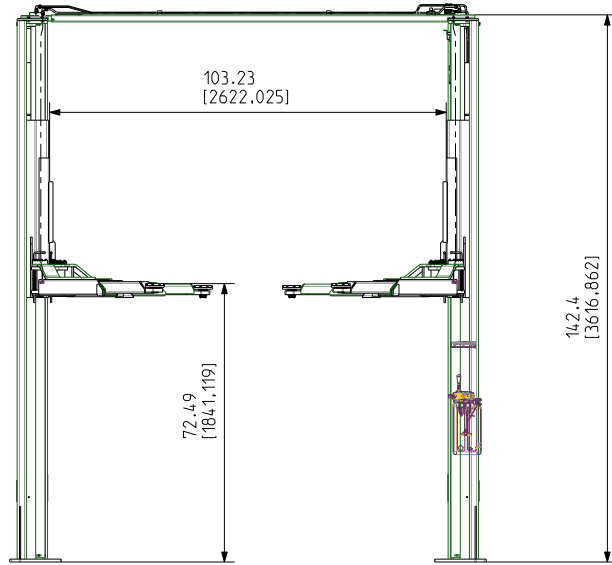


SPL10.000M-HL SHORT
3S ARMS
TELESCOPIC TRAVERSE



LIFTING HEIGHT MAX: 72-4/5"
MIN: 4-11/32"
(ADAPTER ONLY)

				ALL DIMENSIONS IN INCHES (in mm) INTERPRET DRAWING PER ASME Y14.5-1994		scale: 0.030	weight: 4667.925 lbs			
				Datum	Name	materials / semifinished TELESCOPIC TRAVERSE; RISE HEIGHT 72-4/5"				
				editor	9/22/17	Naming				
				review	JTS	SPL10.000 HF MANUAL				
				norm		Drawing number				
						SPL10000M-HF				
						nr	revision	date	name	origin
						sheet	1			
						of	4			